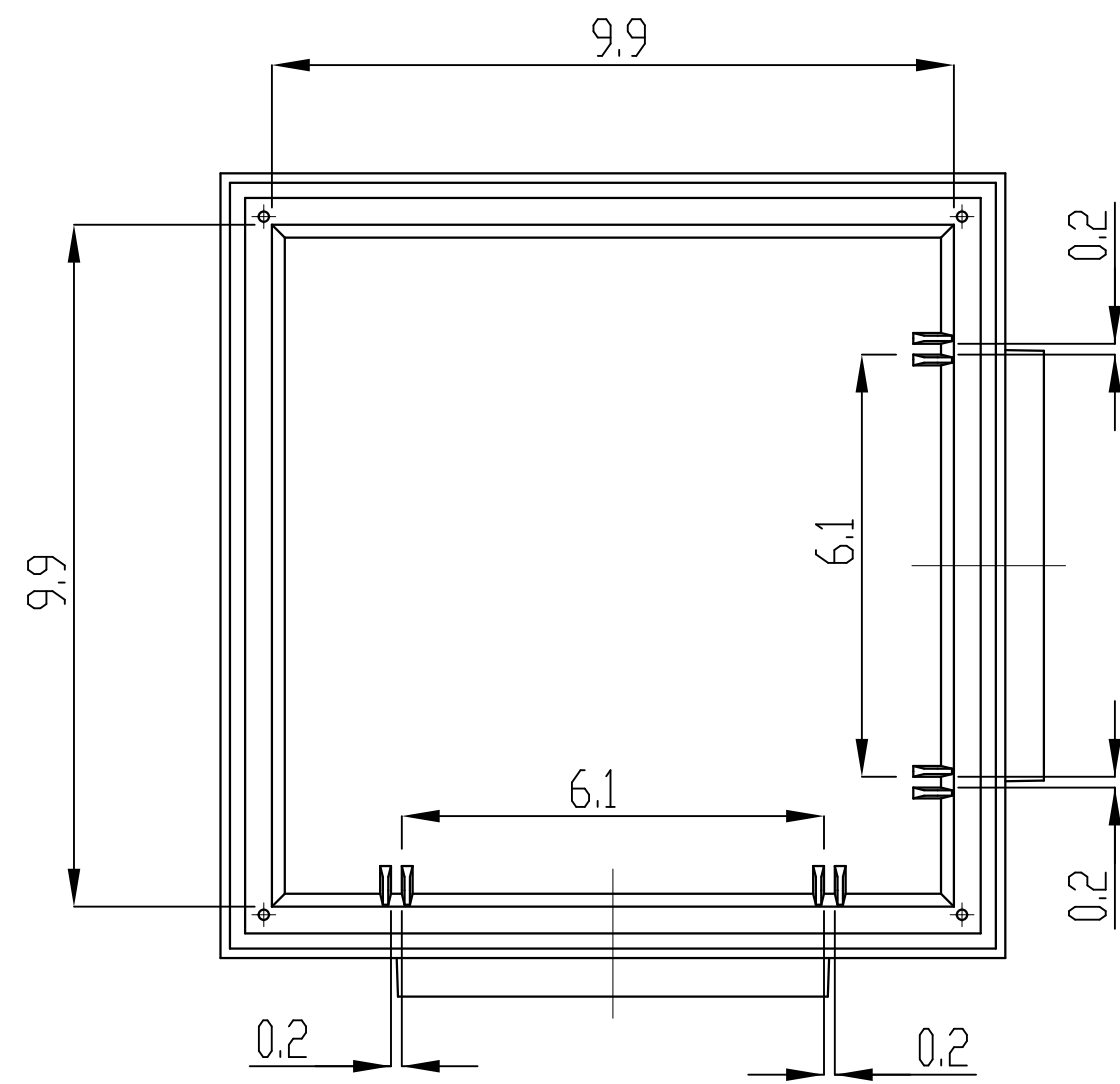
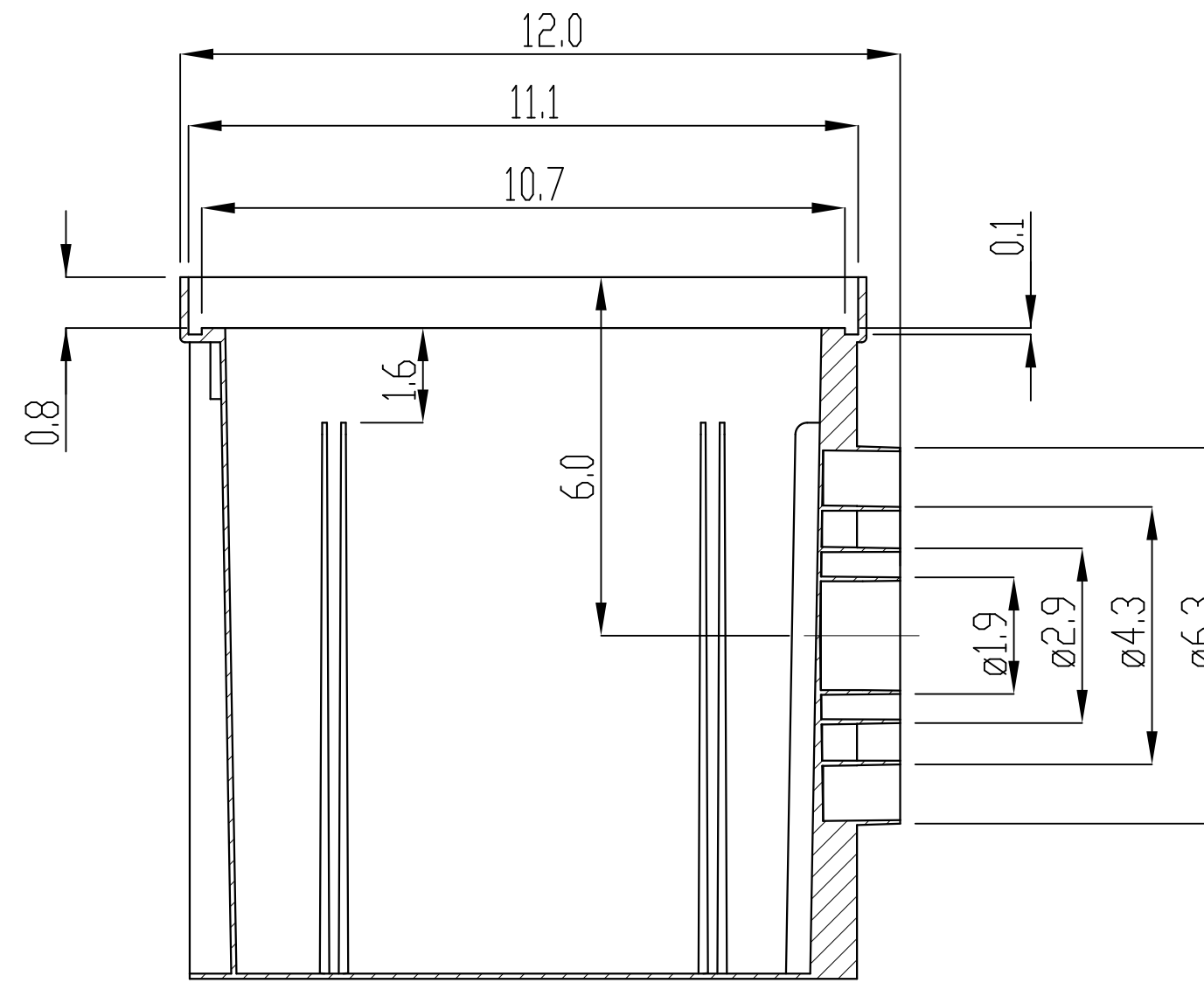
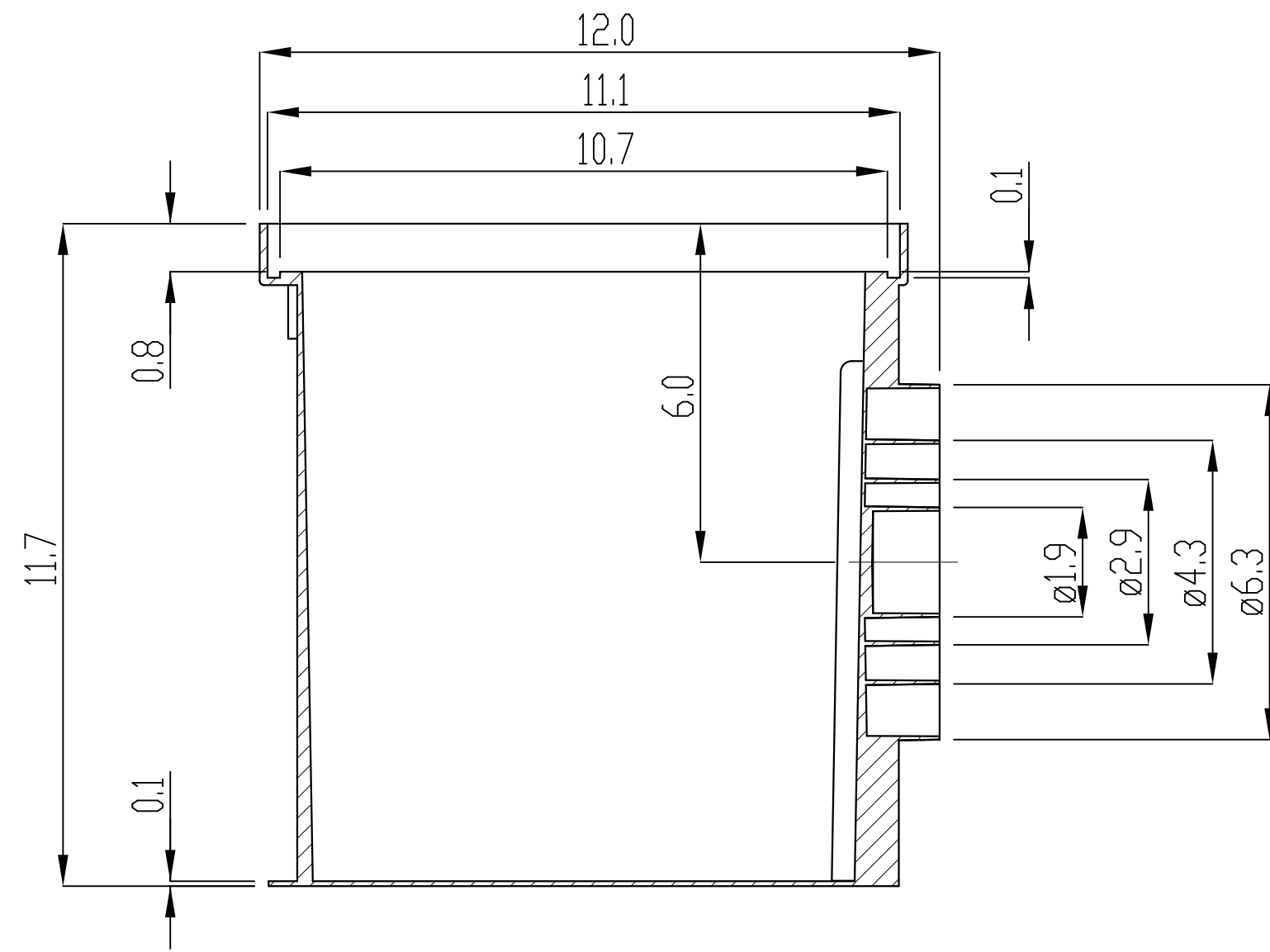


article 8370-C



Total volume of the article is 174.88884088 cu. in.

| | | | |
|---|------|--------|---------------|
| article 8370-C | | | |
| Plastic storm water inlet NP-SWI8370 | Let. | Weight | Scale |
| | | 6.01 | 1:4 |
| EN 1433 | | | standartpark® |