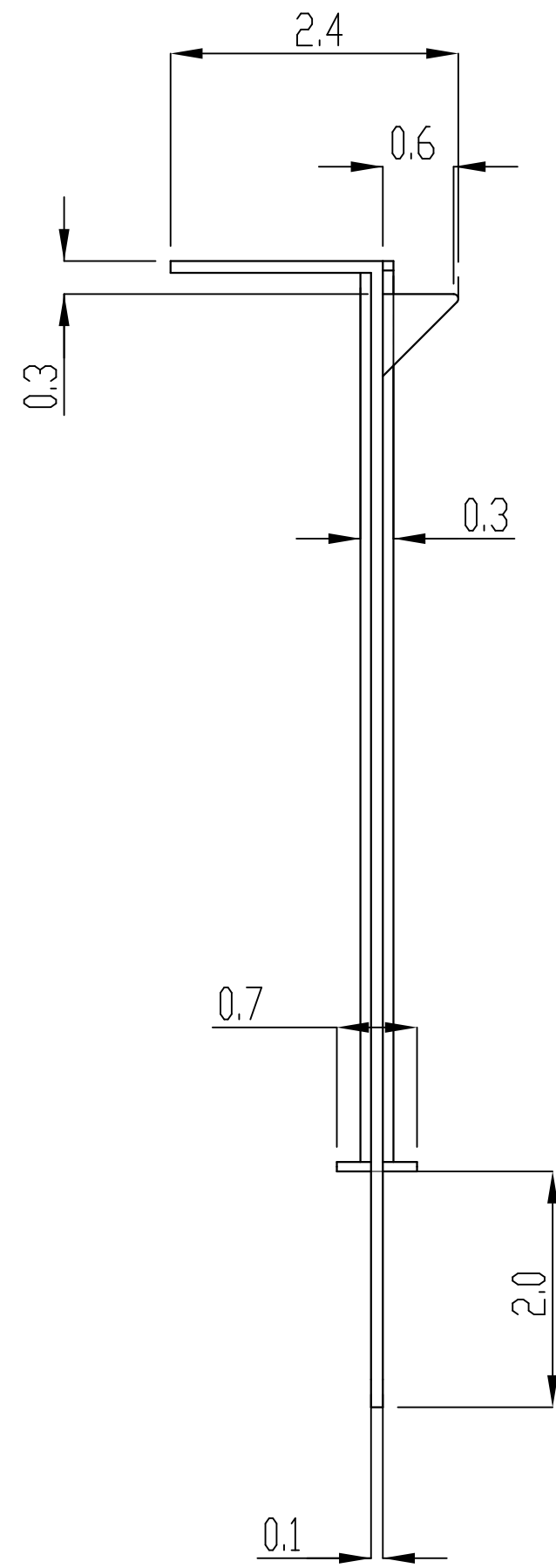
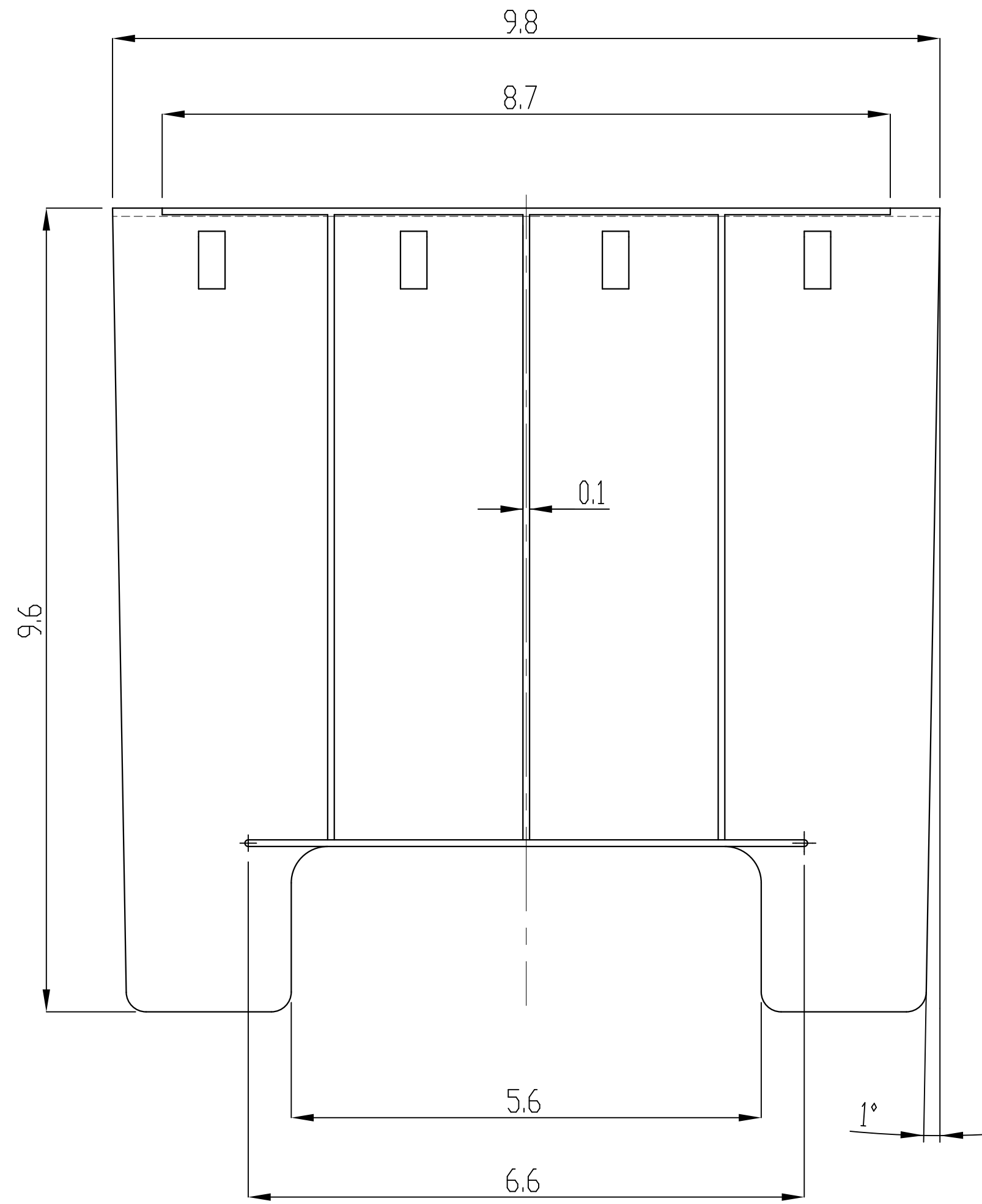


article 8378



				article 8378			
				Plastic partition NP-PP8378	Let.	Weight	Scale
						0.44	1:2
				EN 1433			
				