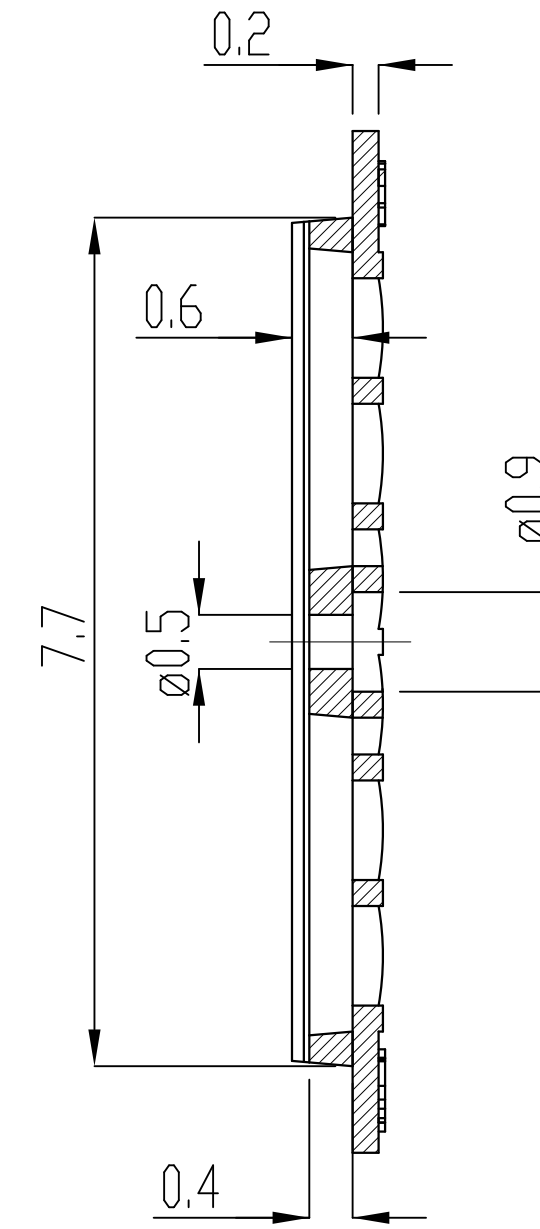
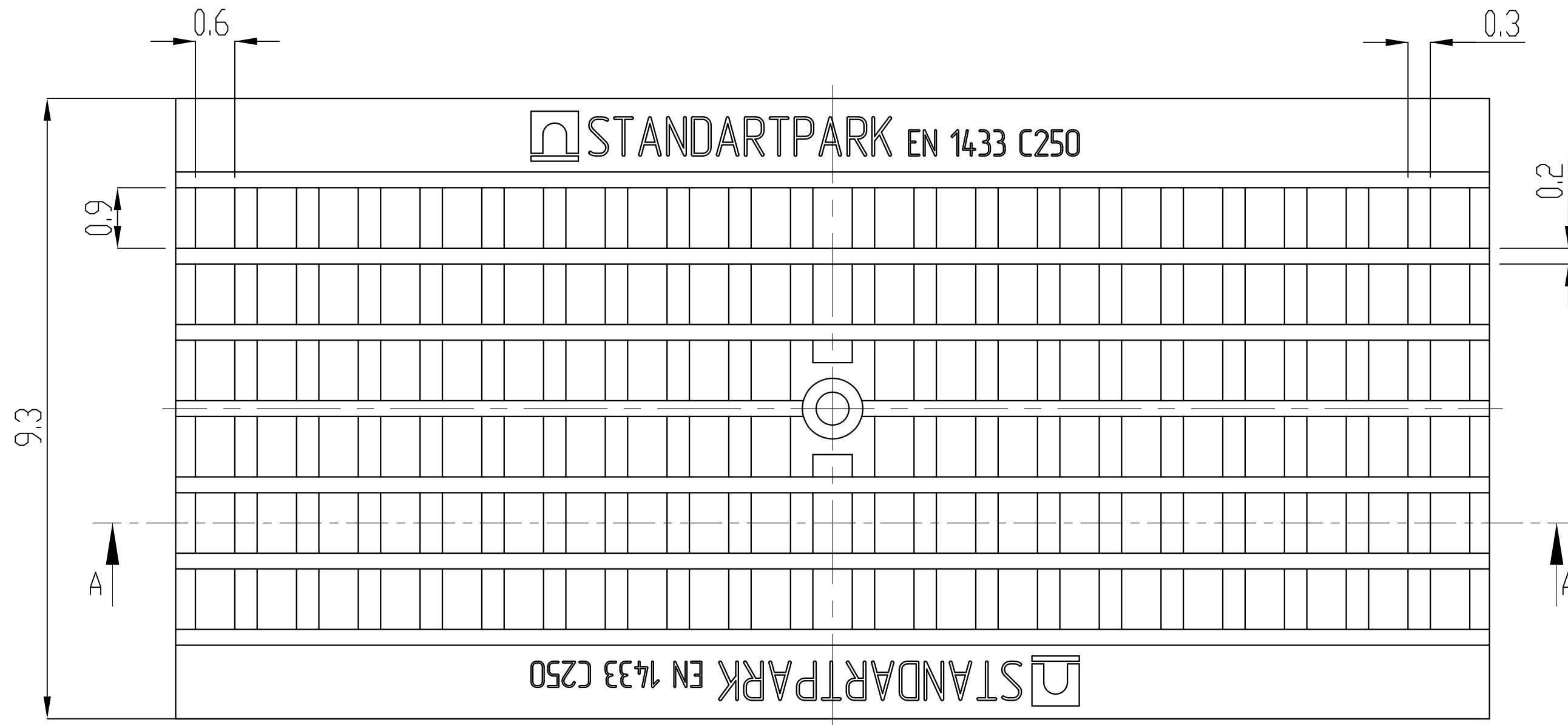
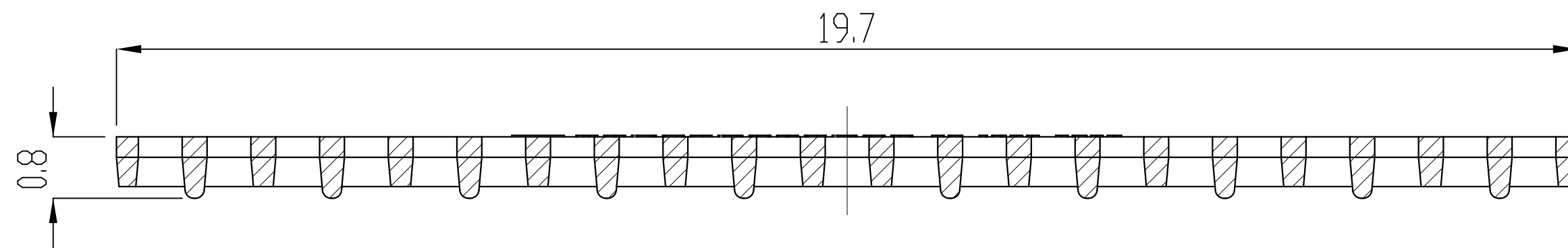


article 25403



SECTION A-A



Total volume of the article is 55.30551077 cu. in.

article 25403			
Ductile cast iron grating (mesh) NP-DG25403	Let.	Weight	Scale
		12.32	1:2.5
EN 1433			